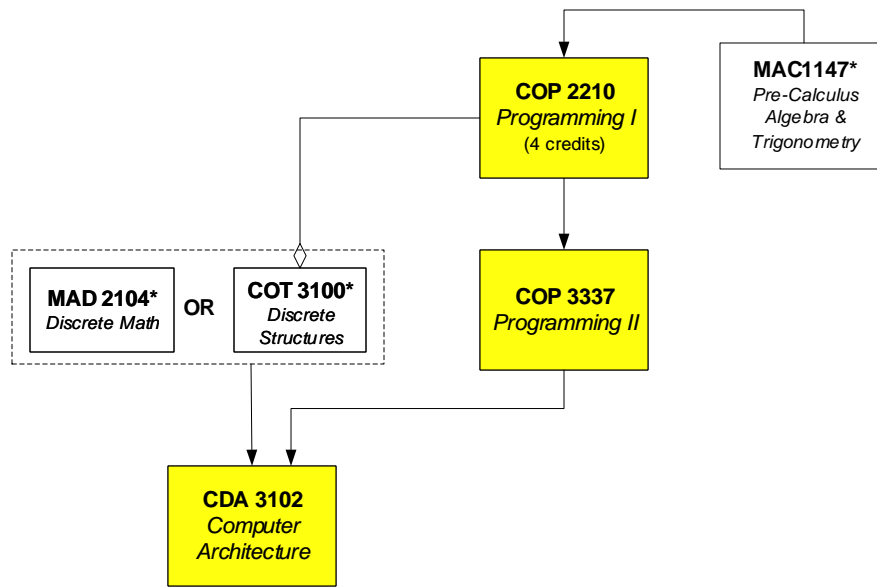


# Minor in Computer Science

(effective Spring 2022)



All courses are 3 credits, except as noted.

**CS Minor Electives:** Choose any 2 electives from all courses listed below (3 credits each)

**Foundations**

- COP 4534-Algorithm Techniques (Prereq: COP3530)
- COP 4555-Programming Languages (Prereq: COP3530)
- COT 3510-Applied Linear Structures (Prereq: see syllabus; Coreq: COT3100 or MAD2104)
- COT 3541-Logic for CS (Prereq: COP3337 and (COT3100 or MAD2104))
- COT 4521-Intro to Computational Geometry (Prereq: COP3530)

**Systems**

- CIS 4731-Fund Blockchain Technologies (Prereq: COP3530)
- COP 3530-Data Structures (Prereq: COP3337 and (MAD2104 or COT3100))
- COP 4338-Systems Programming (Coreq: COP3530)
- COP 4520-Introduction to Parallel Computing (Prereq: COP3530 and (CDA3102 or CDA4101 or EEL4709))
- COP 4710-Database Management (Prereq: cop3337; Coreq: COP3530)
- COT 4431-Applied Parallel Computing (Prereq: COP3530 and CDA3102)

**Applications**

- CAP 4104-Human Cmptr Interaction (Prereq: COP3337)
- CAP 4630-Artificial Intelligence (Prereq: COP3530)
- CAP 4641-Nat Lang Processing (Prereq: COP3530)
- CAP 4830-Modeling & Simulations (Prereq: (STA2023 or STA3033) and COP3530)
- CEN 4010-Software Engineering I (Prereq: CGS3095 and COP3337)
- CEN 4021-Software Engineering II (Prereq: CEN4010)
- CEN 4072-Software Testing (Prereq: COP3530)
- COP 4226-Adv Windows Program (Prereq: COP3530)

\* Prerequisites:  
 - COP2210: MAC1140 or higher level math course  
 - COT3100: Prereq: MAC XXXX and COP XXXX (any MAC course and any COP course)  
 Coreq:(COP2210 or COP 2250 or EEL2280)  
 - MAD2104: MAC1105 or MGF1106



A line indicates a prerequisite. The course above must be completed before the course below can be taken.



A diamond indicates a co-requisite. The course closer to the diamond may be taken at the same time as the co-requisite. The co-requisite is a prerequisite for any course that requires the course closer to the diamond.